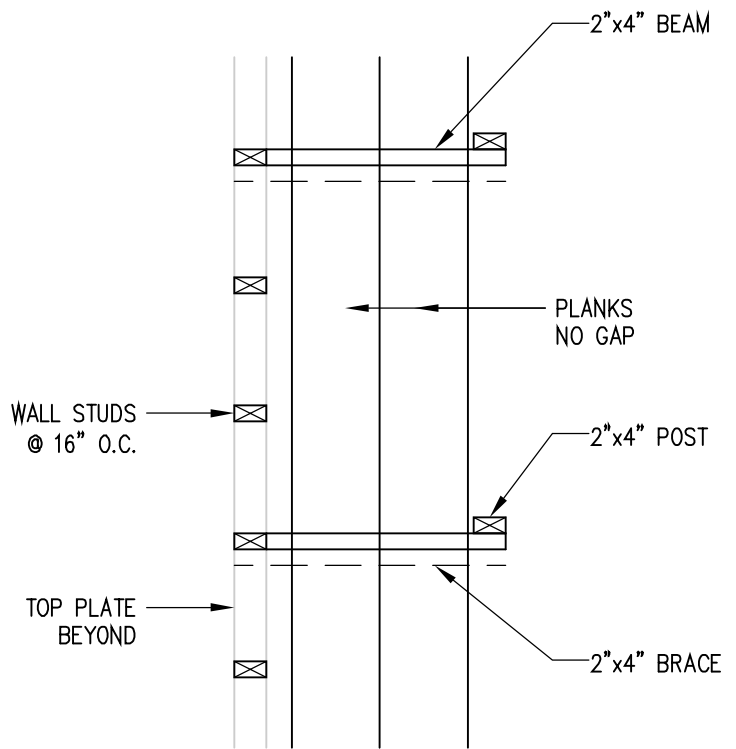
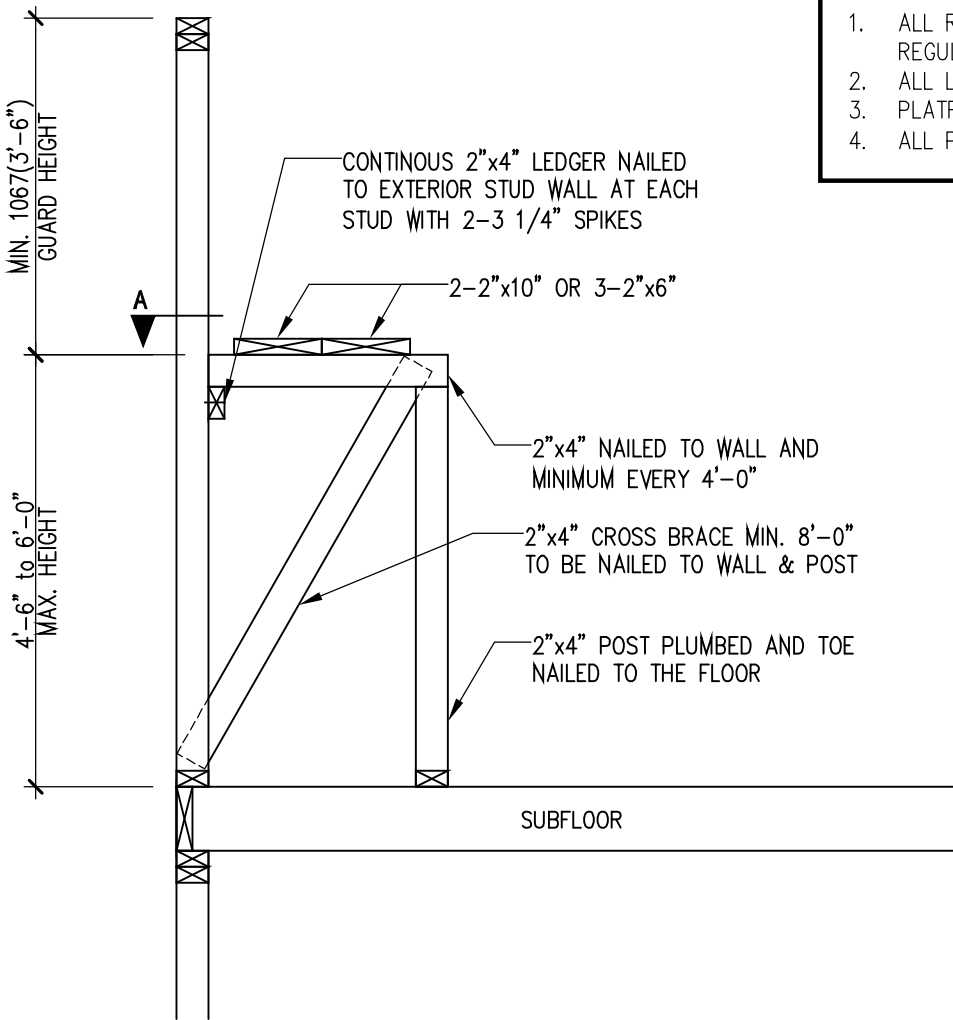


- NOTES:
1. ALL REQUIREMENTS OF OHS&A & CONSTRUCTION REGULATION 213/91 SHAL BE SATISFIED
 2. ALL LUMBER SPRUCE No. 1 GRADE
 3. PLATFORM MAX. LIVE LOAD = 2.4 kPa (50 psf)
 4. ALL PLANK OVERHANGS TO BE 6" MIN. & 12" MAX.



A PLAN @ PLATFORM

