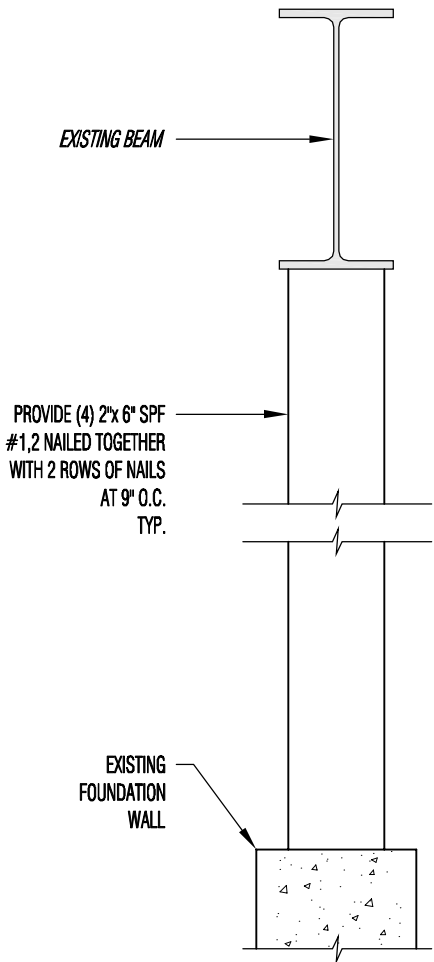
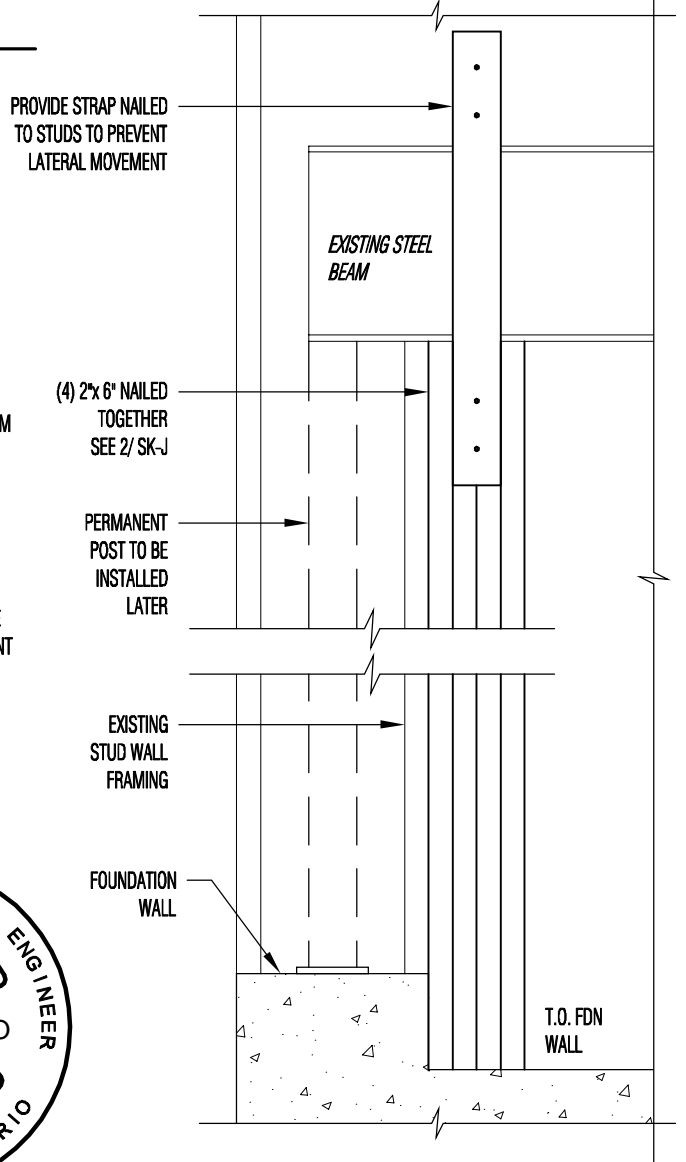


1 EXISTING GARAGE PLAN



2 SECTION @ CORNER CONDITION

- LIMITATIONS:**
1. MAXIMUM 2 STOREYS SUPPORTED BY THE I-BEAM
 2. LOADING ASSUMED :
 DEAD LOAD : 1.0 kPa
 SNOW LOAD : 1.28 kPa
 LIVE LOAD : 1.90 kPa
 3. ANY DEVIATION FROM THIS CONDITION MUST BE REPORTED TO THE ENGINEER.
 4. IF STEEL BEAM REQUIRES A SUPPORT FOR MORE THAN 2 STOREYS, PLEASE PROVIDE A PERMANENT STEEL POST.



3 SECTION @ CORNER CONDITION